

15HD

15" 2-way with 1.4" CD



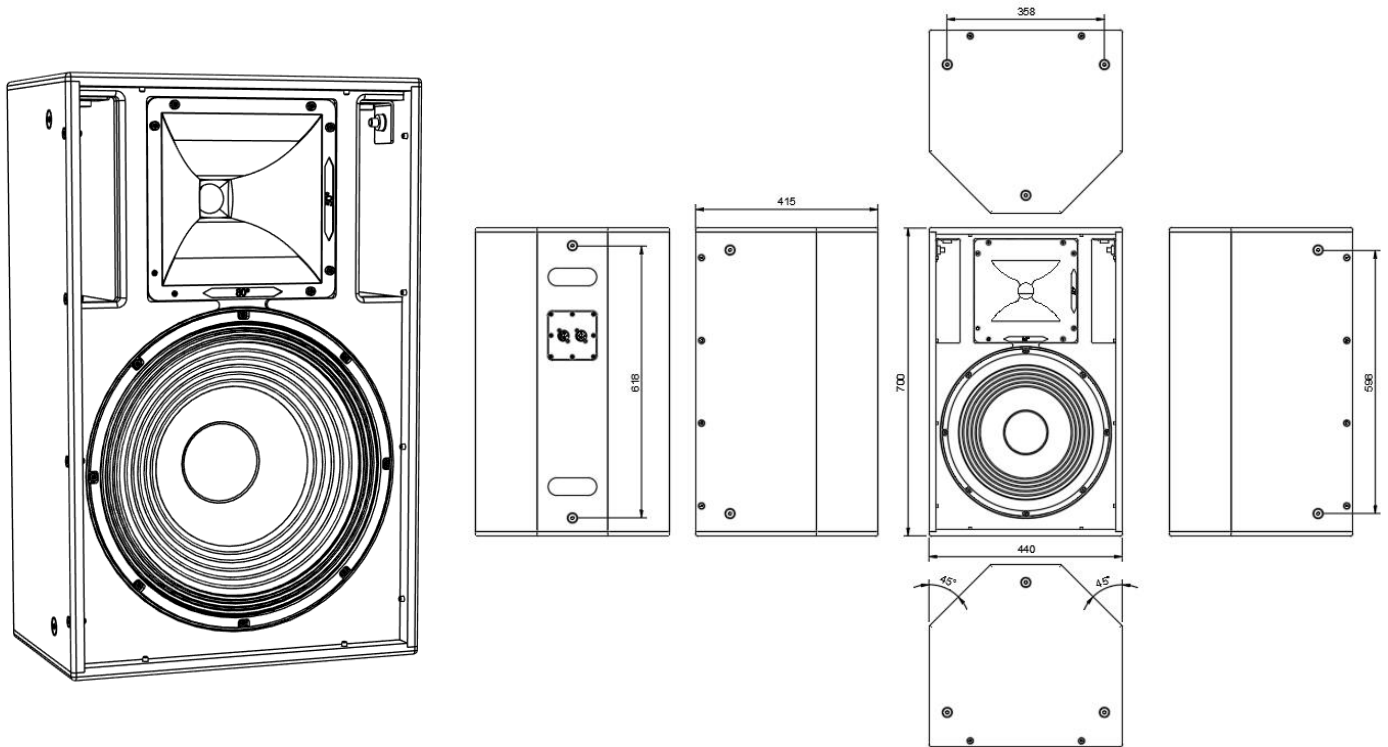
The 15HD is a passive two-way loudspeaker featuring a 15" low frequency transducer with weatherproofing on both sides of the cone, and a 1.4" exit compression driver with a polyester diaphragm fitted to a rotatable 80Hx50V horn. This polyester diaphragm helps the 15HD maintain a smooth and unfatiguing output even at high SPL thanks to its high frequency extension and excellent resonance damping properties. The 15HD uses a passive crossover network to allow it to work in single channel operation from 55Hz to 20kHz.

The 15HD focusses on delivering excellent performance from a lightweight enclosure whilst retaining a sleek install friendly look. M10 fixing points on each side, top and bottom, allow for a variety of mounting options and the rotatable horn lets the user operate the 15HD in landscape or portrait orientations. Furthermore, the cabinet has 45-degree angles towards the rear of the cabinet allowing it to be used as a floor wedge or on top of a subwoofer as a DJ monitor.

15mm birch plywood construction contributes to a lightweight but durable cabinet, and the 2mm powder coated steel grille protects the drivers from damage. A textured PU coating adds a final layer of protection from scratching, denting and moisture for the cabinet.

15HD

15" 2-way with 1.4" exit CD



| | |
|-------------------------------|--|
| Type | 15" 2-way with 1.4" exit CD |
| Frequency Response (1) | 55Hz - 20kHz |
| HF Driver | 1.4" exit CD with Polyester dome diaphragm |
| LF Driver | Weatherproofed 15" transducer with 3" voice coil |
| Power Handling (2) | 1000W Program |
| Power Handling LF (2) | N/A |
| Recommended Amplifier | Traction Engine 4 1000-DSP |
| Sensitivity (2) | 99dB |
| Maximum SPL (4) | 132dB Peak |
| Nominal Impedance | 8 Ohm |
| Crossover | Internal Passive Crossover |
| Connectors | 2x Neutrik® NL4 SpeakOn™ with all pins linked |
| Nominal Dispersion (-6dB) | 80H 50V |
| Primary Construction Material | 15mm Birch Plywood |
| Available Finish | Black Textured PU |
| Dimensions | 700m x 440mm x 415mm |
| Fittings | 12x M10 rigging points 35mm pole mount |
| Weight | 33kg |
| Available Accessories | HDI5 U-Bracket |

Notes

(1) Measured on axis in half (2pi) space at two meters and referred to 1 meter. With DSP preset applied.

(2) Tested to AES 2-1984 Rev. 2003.

(3) Measured in half (2pi) space at 2 meters with 2.83V input, using band limited pink noise, then referred to 1 meter.

(4) Calculated at 1 meter.