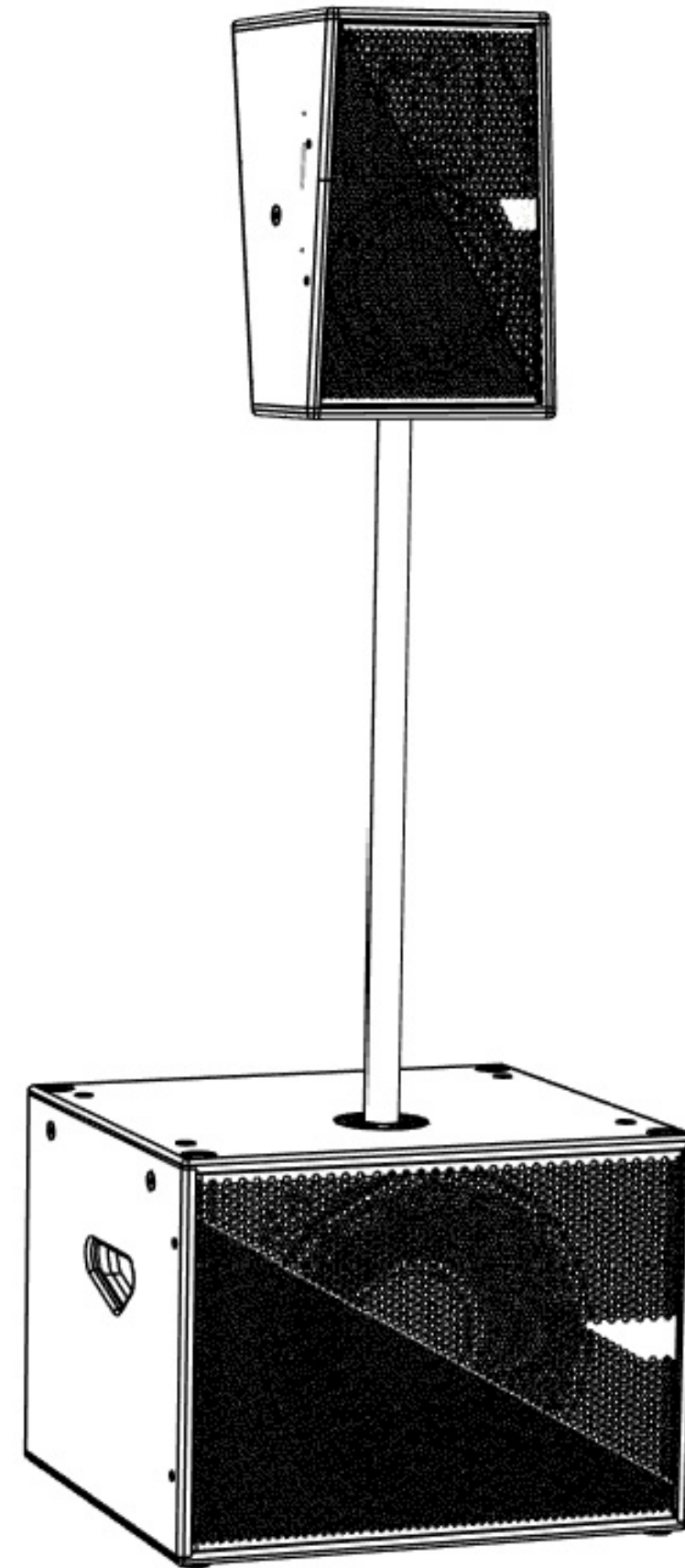
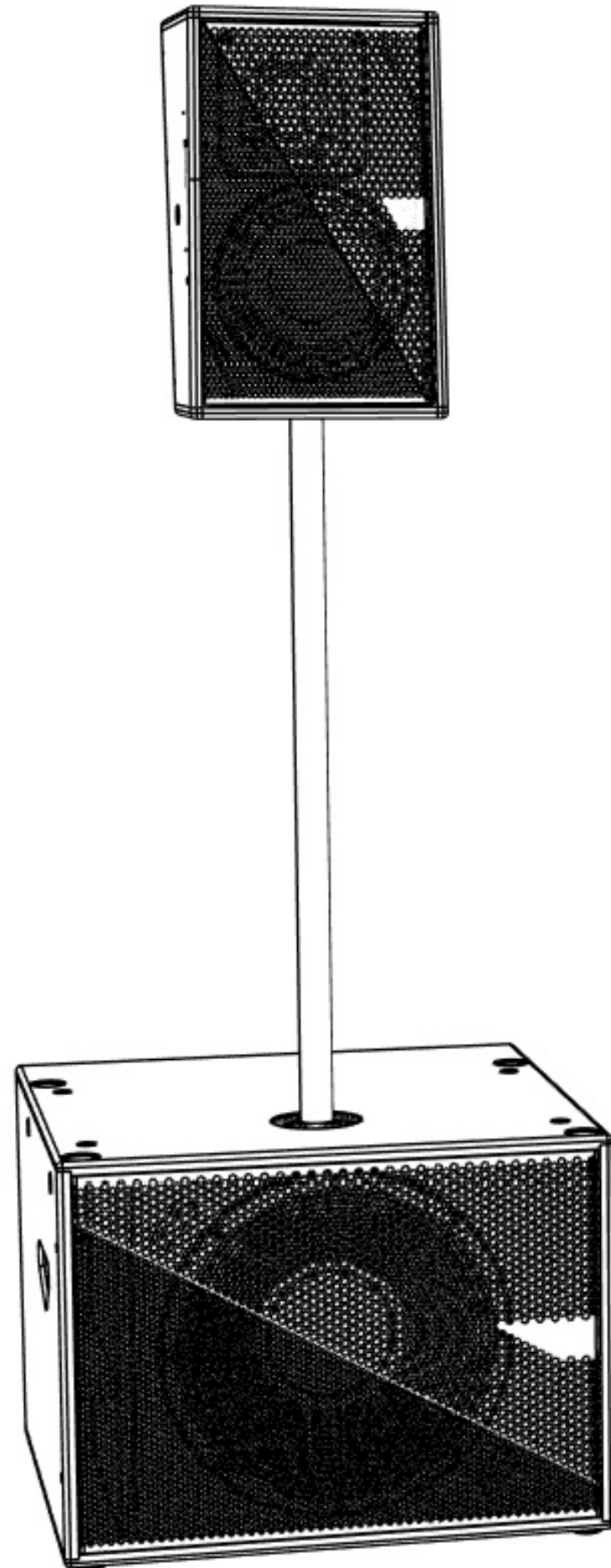


# Harrier 2.1 Setup Guide

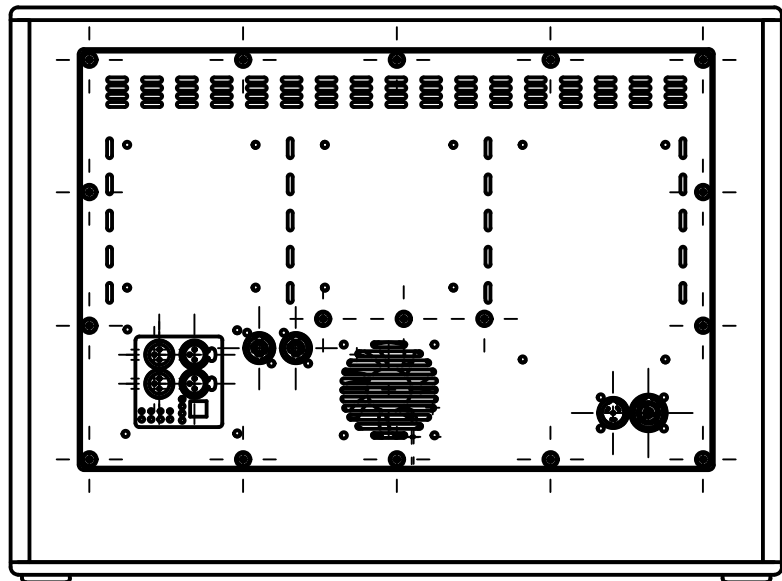
ver 1.0



# Harrier 2.1 Setup Guide

ver 1.0

Traction Engine 2.1



## DSP Control Panel

- XLR Audio Inputs
- XLR Audio Links
- USB Control Port
- Preset Select Buttons
- Metering LEDs

2.5mm<sup>2</sup> four-core (NL4) cable should be used to connect the satellite SW15 as it takes its input from pins 2+/- . The relative Harrier 8-X or 80-X can then be connected to the other SpeakOn socket on this SW15.

2-core NL4 can be used to link from sub to top if desired.

**Please note the "sub" outputs on pins 2+/- of both SpeakOn connectors is a single mono summed output, wired in parallel.**

To right Harrier Top / SW15

Top - Pins 1+/-  
SW15 - Pins 2+/-

To left Harrier Top / SW15

Top - Pins 1+/-  
SW15 - Pins 2+/-

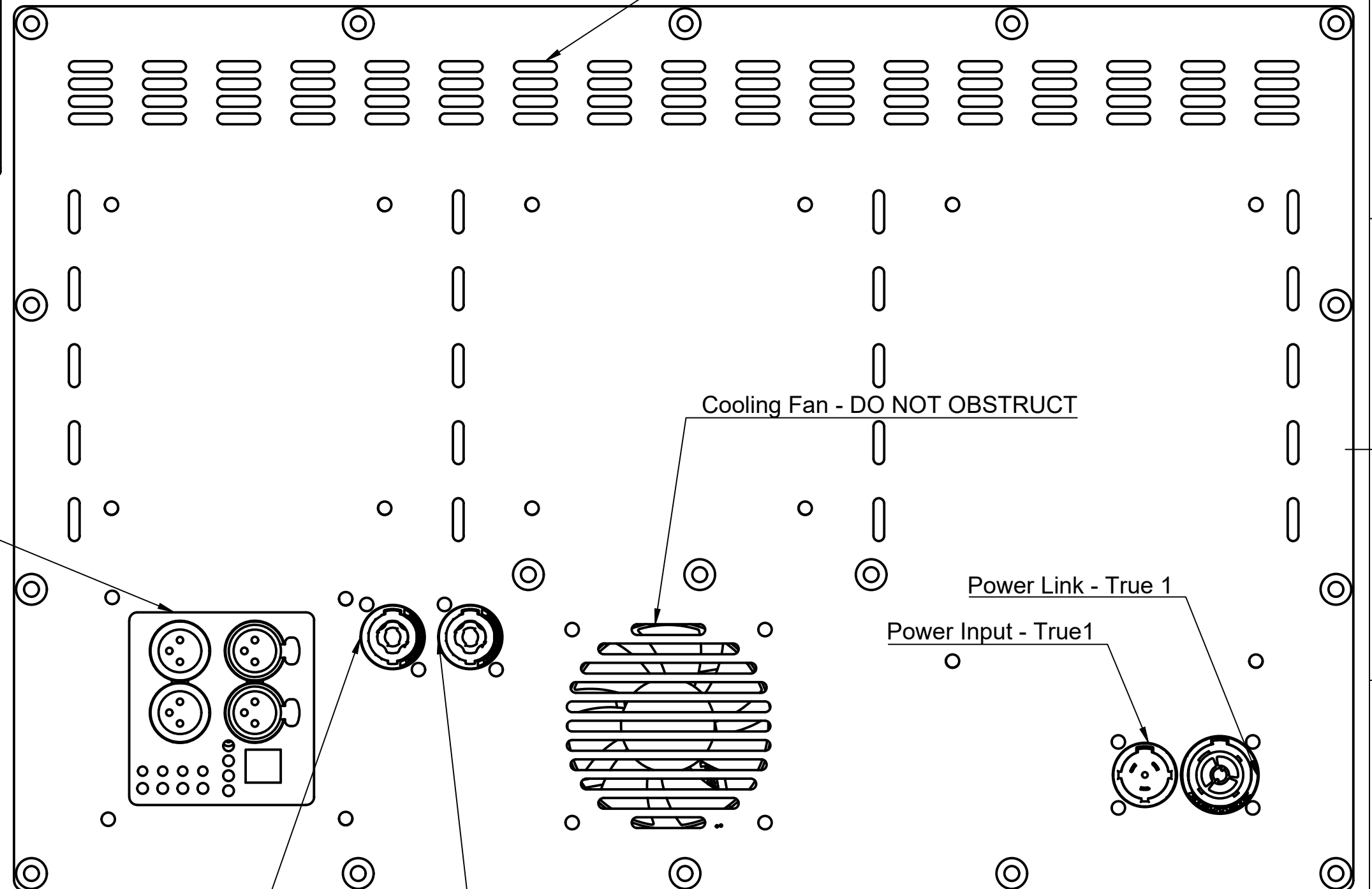
Cooling Vents - DO NOT OBSTRUCT AIRFLOW

Cooling Fan - DO NOT OBSTRUCT

Power Link - True 1

Power Input - True1

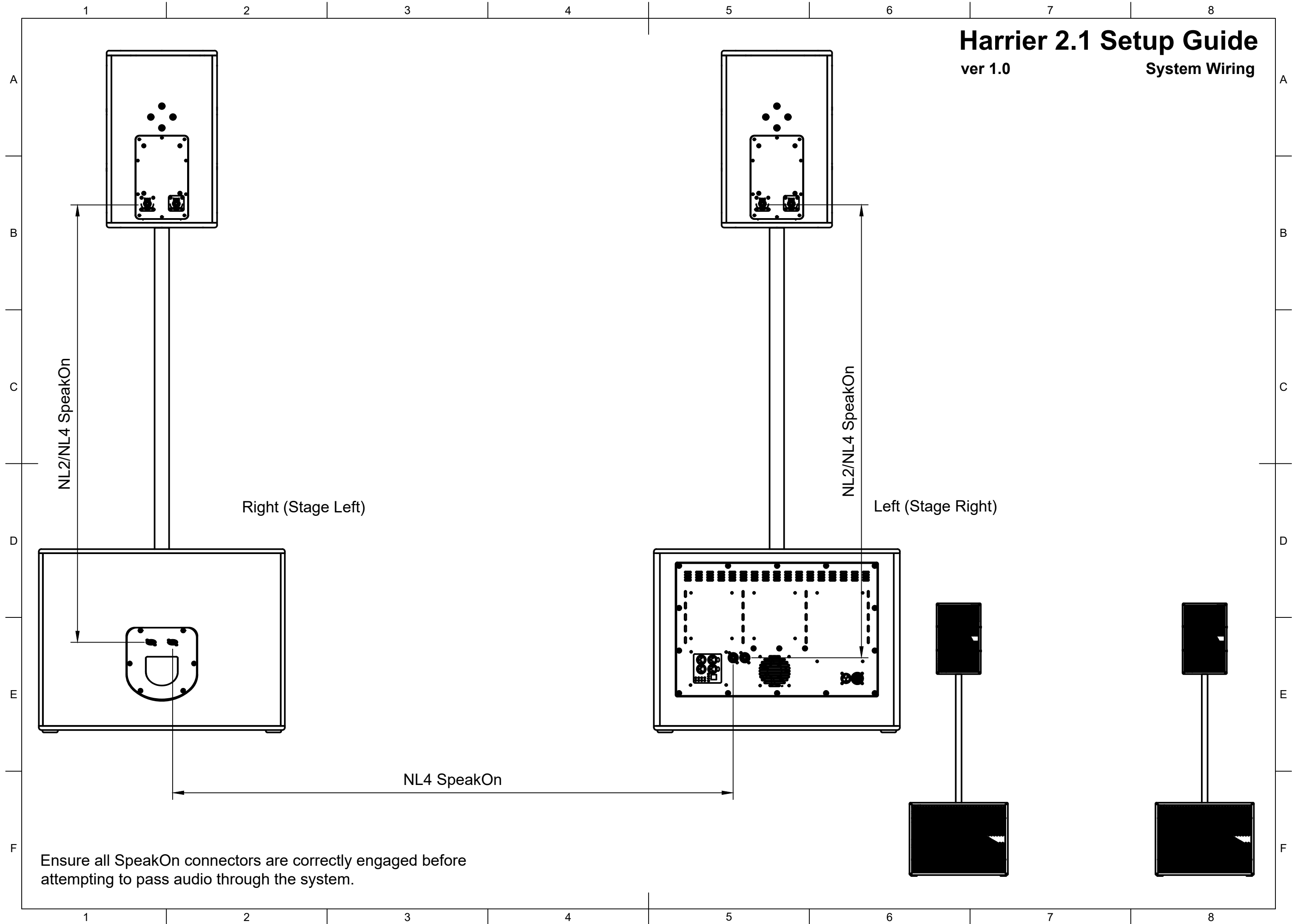
**This plate amplifier should always be earthed when in use**



# Harrier 2.1 Setup Guide

ver 1.0

System Wiring



# Harrier 2.1 Setup Guide

ver 1.0

DSP Control Panel

## XLR Audio Inputs

Stereo inputs to the Traction Engine 2.1. Input 1 is routed to Output 2 (Left) and Input 2 is routed to Output 1 (Right)

## XLR Audio Links

The audio input signal is present on these XLR outputs for pass-through connection of other audio devices.

## Preset Select Buttons

Press and hold one of these buttons for 5 seconds to select the desired output channel preset based on your Harrier 2.1 configuration. Check that the relevant Preset Indicator LED is a solid orange colour.

These can also be used to adjust the relative levels of the "top" and "sub" channels in +/-1dB increments. Please see the user manual for further detail.

## LED Indicators

- ON- Illuminated when the amplifier is connected to a power source.
- SGN - Illuminates when input signal is detected.
- LIM - Illuminates when the RMS limiters on any output begin to engage.
- CLIP - Illuminates when the clip limiter on any output engages.

## USB-B Control Port

Connect a to the amplifier's DSP system using the OCS software to control input EQ, input and output channel levels, and channel mutes.

Please see the manual for download details

## Preset Indicator LEDs

The relevant LED will illuminate to show which DSP preset is currently selected

