

HARRIER 50-X

2-Way Full Range 12" + AMT



The Harrier 50-X is a two-way loudspeaker which features significant performance upgrades and an expanded set of possible applications over the original Harrier 50. The Harrier 50-X is comprised of a 12" low frequency transducer with high power handling and a neodymium motor assembly optimised for low distortion performance, and an AMT mounted in a rotatable waveguide. Air Motion Transformers use extremely lightweight diaphragms to produce clear and undistorted high frequencies for studio level resolution. The rotatable waveguide, along with the added M10 fixing points on the top, bottom and sides of the loudspeaker mean it can be deployed in almost any orientation and still provide optimal coverage for the situation.

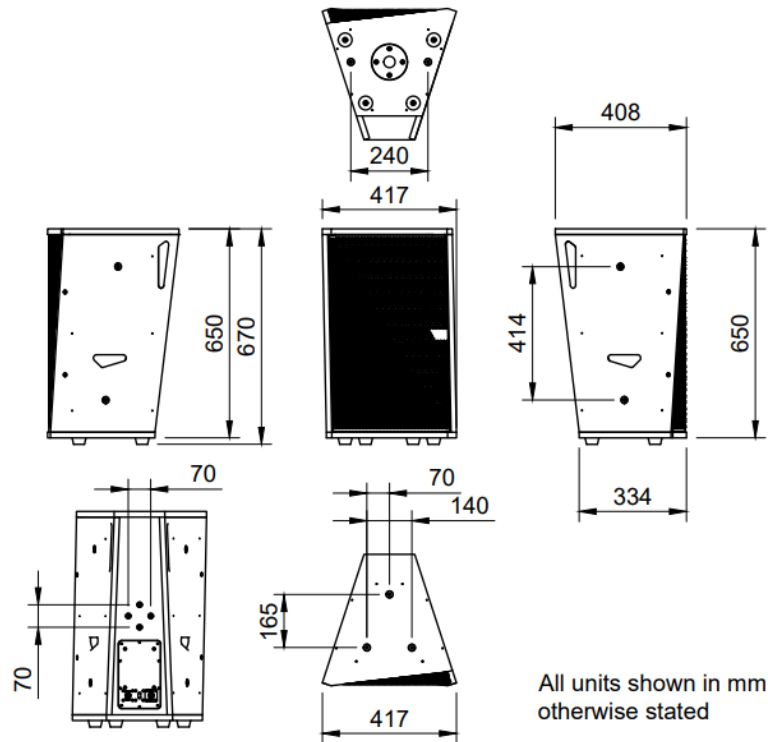
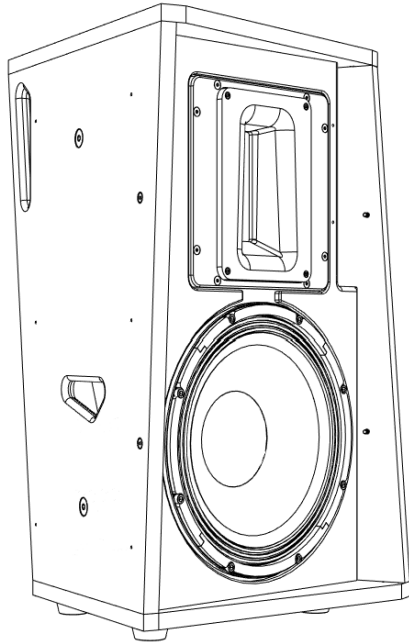
Between the two Neutrik® NL4 SpeakON™ sockets provided on the back is a switch for selecting either Bi-Amp or Passive operation. The Bi-Amp setting enables the discrete use of each transducer with its own dedicated amplifier and DSP channel for maximum SPL output and uncompromised fidelity. Passive mode enables the use of the internal crossover network so the speaker can be run on a single amp channel, simplifying installations, and reducing system cost.

Construction is from 18mm Birch Ply, sourced from sustainable and managed woodland. The cabinet is finished in textured polyurea, and all external fixings are stainless steel with an anodised black finish. The drivers are protected by a heavy duty 14 Gauge (2mm) steel grill with a black powder coated finish. The cabinet aesthetics is influenced by contemporary architecture and computational design, and the form factor has been optimized to minimize internal reflections from the walls of the cabinet. The damping material used in the cabinet is from made from recycled single use plastics.

The bottom of the cabinet features a 35mm top hat to allow the speaker to be pole mounted without any additional hardware. M10 fixing points are provided on the top, bottom, and sides of the cabinet, as well as M8 fixings on the rear for full installation flexibility. U-brackets and Arraying Hardware can also be supplied which make use of these fixings. The Harrier 50-X has been designed to use Traction Engine amplifiers and Traction Control DSP.

HARRIER 50-X

2-Way Full Range 12" + AMT



All units shown in mm unless otherwise stated

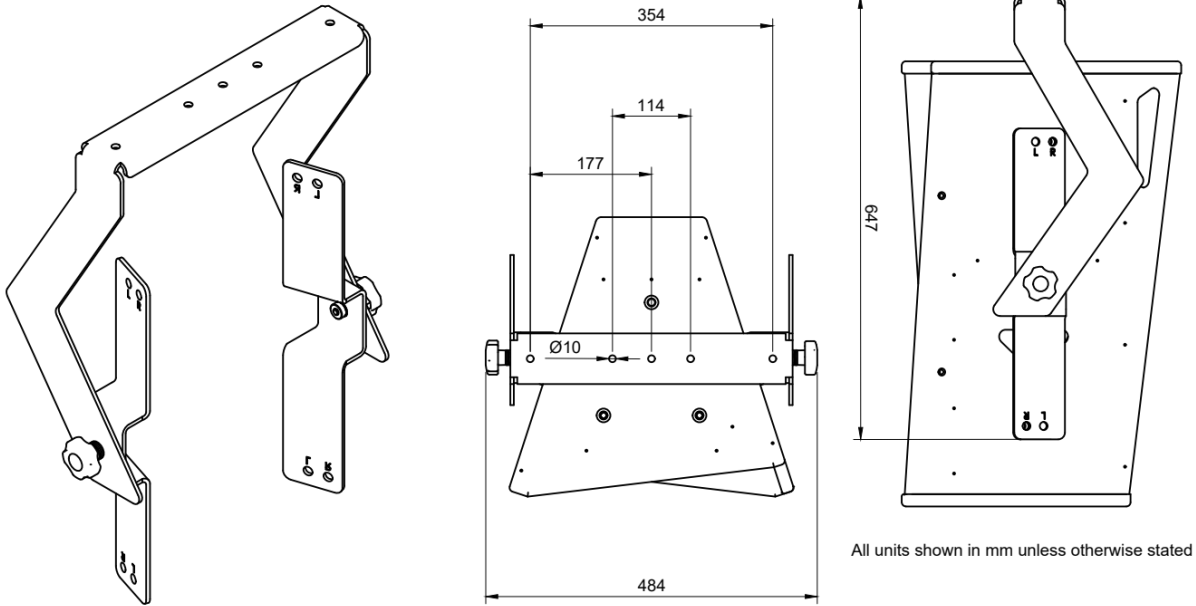
Type	2-way Bi-Amped or Passive full range
Frequency Response (1)	65Hz - 21KHz +/-3dB
HF Driver	AMT fitted to rotatable waveguide
LF Driver	12" cone woofer with a 3" voice coil and high power handling
Power Handling - HF (2)	240W Program
Power Handling - LF (2)	1200W Program
Power Handling - Passive Mode (2)	800W Program
Recommended Amplifier	Traction Engine 4 2700
Sensitivity (3)	104dB HF 98dB LF
Maximum SPL (4)	132dB
Nominal Impedance	6 Ohm HF 8 Ohm LF 8 Ohm in Passive mode
Crossover	Bi-Amp (manufacturer supplied DSP preset only) / internal passive
Connectors	2x Neutrik® NL4 SpeakOn™ with pins linked
Input connections	HF on pins 2 +/- LF on pins 1 +/- Passive mode input on 1 +/-
Nominal Dispersion (-6dB)	50 degrees Horizontal 30 degrees Vertical
Primary Construction Material	18mm Birch Plywood
Dimensions	417mm x 670 mm x 408mm
Fittings	9x M10 threaded rigging points, 35mm top hat, 4x rubber feet
Weight	25.3kg
Available Accessories	HarrierX Dual Arraying Plate HarrierX U-Bracket

Notes

- (1) Measured on axis in half (2pi) space at two meters and referred to 1 meter, with DSP preset applied.
- (2) Tested to AES 2-1984 Rev. 2003.
- (3) Measured in half (2pi) space at 2 meters with 2.83V input, using band limited pink noise, then referred to 1 meter.
- (4) Calculated at 1 meter.

Harrier-X U-Bracket

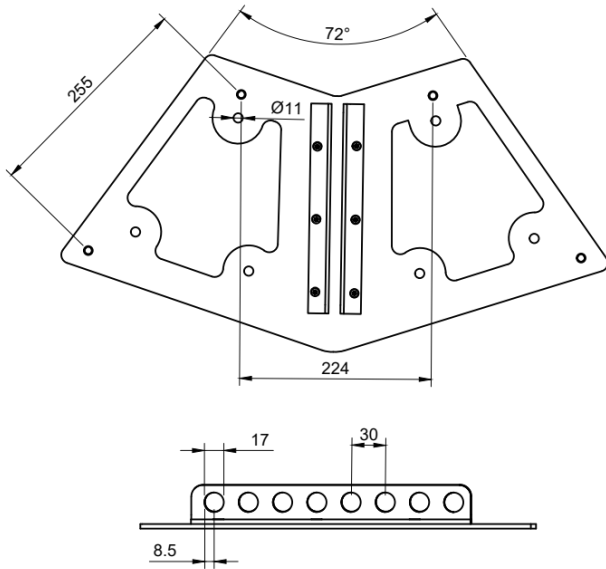
Compatible with both Harrier 50X and Harrier 80X



All units shown in mm unless otherwise stated

Harrier-X Array Plate

Compatible with both Harrier 50X and Harrier 80X



All units shown in mm unless otherwise stated

