

HARRIER 8-X

2-way high fidelity 8" driver + AMT



Harrier 8-X takes the standard 8" 2-way design to a new level of fidelity and performance. Featuring a very low distortion 8" driver operating from 70Hz until handing over to an Air Motion Transformer. AMTs use extremely lightweight diaphragms to produce clear and undistorted high frequencies for studio level resolution. This AMT is mounted in a rotatable waveguide for greater flexibility in install situations.

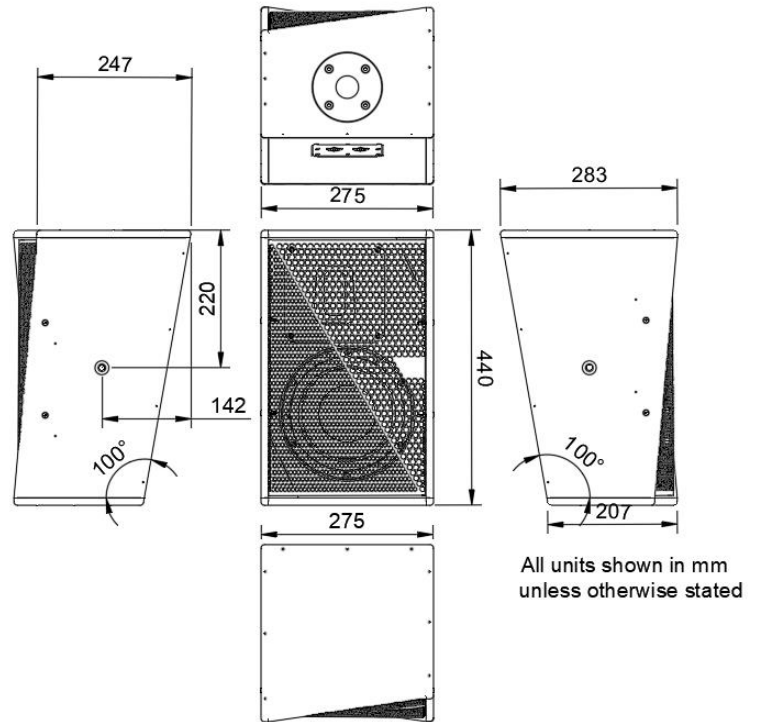
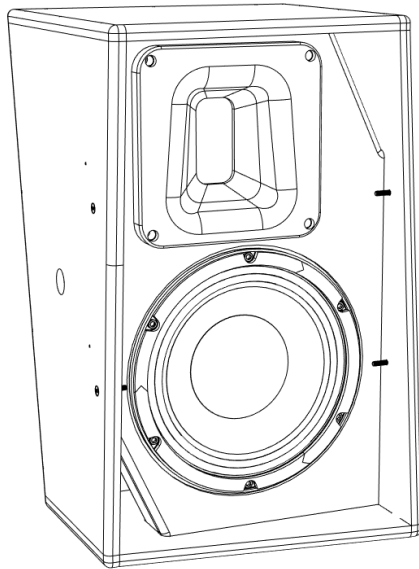
The Harrier 8-X also makes up part of our 2.1 system, alongside the SW15-SP and the SW15. This system uses one active subwoofer to process and drive up to one extra slave sub and two Harrier 8-X for a full stereo system.

The bottom of the cabinet features a 35mm top hat to allow the speaker to be pole mounted without any additional hardware. M10 fixing points are provided on the top, bottom, and sides of the cabinet, as well as M8 fixings on the rear for full installation flexibility. U-brackets can also be supplied which make use of these fixings. The Harrier 8-X has been designed to use Traction Engine amplifiers and Traction Control DSP.

Construction is from 12mm Birch Ply, sourced from sustainable and managed woodland. The cabinet is finished in textured polyurea, and all external fixings are stainless steel with an anodised black finish. The drivers are protected by a heavy duty 14 Gauge (2mm) steel grill with a black powder coated finish. The cabinet aesthetics is influenced by contemporary architecture and computational design, and the form factor has been optimized to minimize internal reflections from the walls of the cabinet. The damping material used in the cabinet is from made from recycled single use plastics.

HARRIER 8-X

2-Way Full Range 8" + AMT



Type	2-way passive loudspeaker
Frequency Response (1)	75Hz - 20kHz
HF Driver	AMT in a rotatable waveguide
LF Driver	Highly linear 8" cone driver with a neodymium magnet
Power Handling (2)	200W Program
Recommended Amplifier	Traction Engine 4 2000
Sensitivity (2)	96dB SPL
Maximum SPL (4)	120dB SPL
Nominal Impedance	8 Ohms
Crossover	Internal passive network
Connectors	2x Neutrik® NL4 SpeakOn™ with pins linked
Input Connections	Pins 1 +/-
Nominal Dispersion (-6dB)	90 degrees Horizontal 50 degrees Vertical
Primary Construction Material	12mm Birch Plywood
Available Finish	Black PU Coating
Dimensions	275mm x 440mm x 283mm
Fittings	2x M10 threaded rigging points
Weight	10kg
Available Accessories	U-Bracket

Notes

(1) Measured on axis in half (2pi) space at two meters and referred to 1 meter.

(2) Tested to AES 2-1984 Rev. 2003

(3) Measured in half (2pi) space at 2 meters with 283V input, using band limited pink noise, then referred to 1 meter.

(4) Calculated at 1 meter.